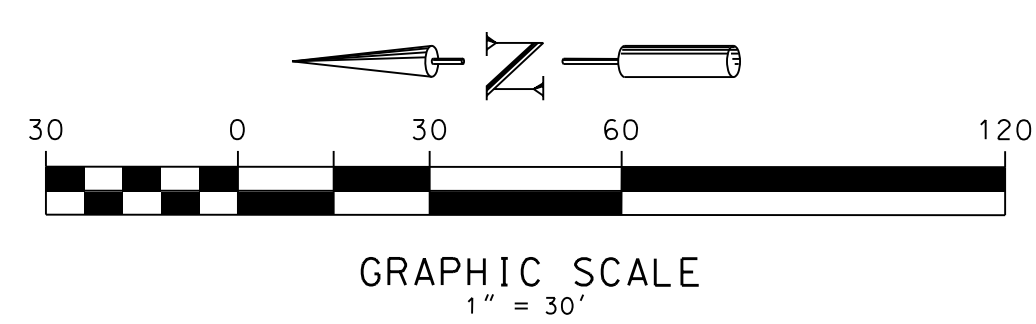
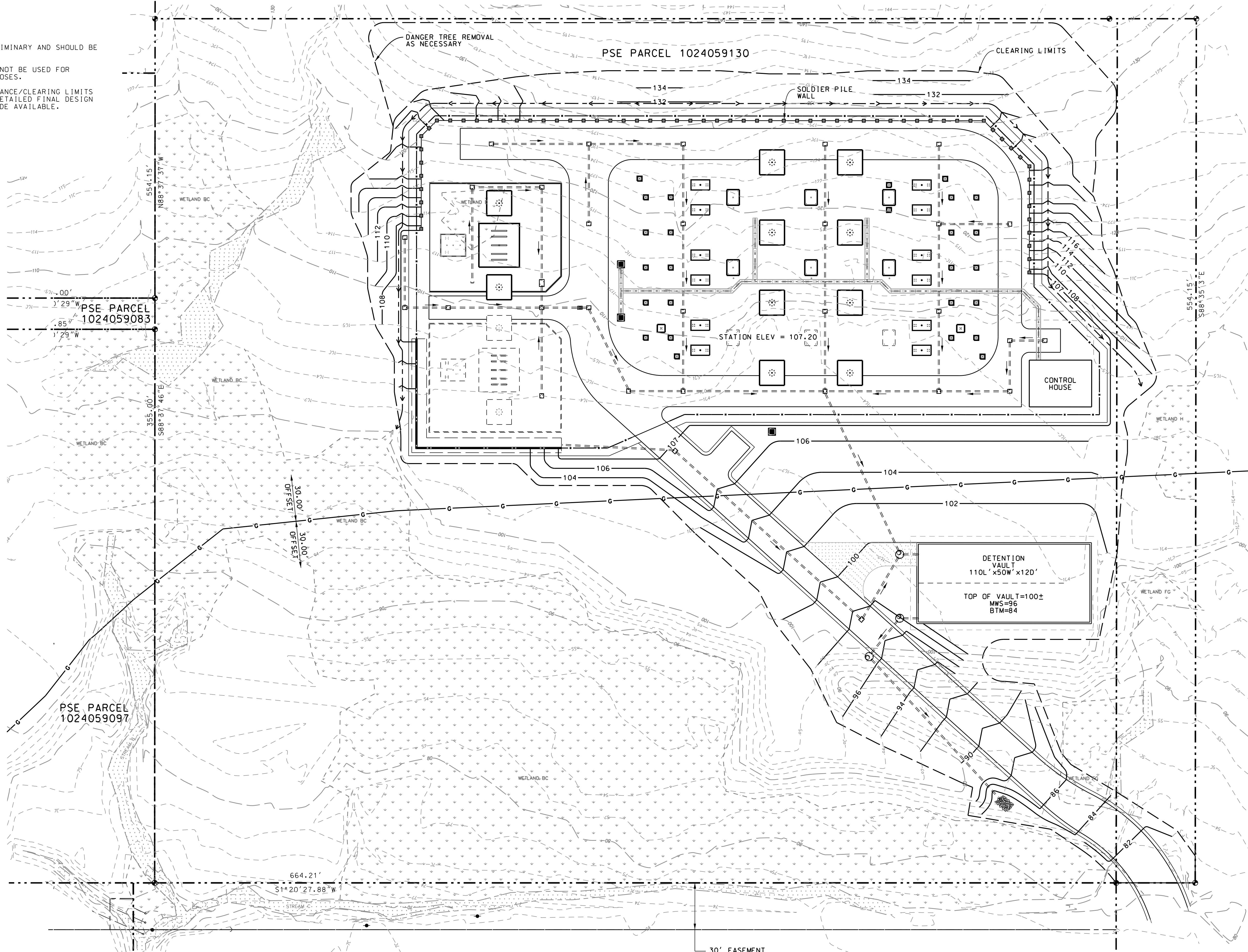


**NOTES**

1. THIS PLAN IS PRELIMINARY AND SHOULD BE USED AS SUCH.
2. THIS PLAN SHOULD NOT BE USED FOR CONSTRUCTION PURPOSES.
3. LIMITS OF DISTURBANCE/CLEARING LIMITS MAY CHANGE ONCE DETAILED FINAL DESIGN INFORMATION IS MADE AVAILABLE.



**PRELIMINARY**  
 (NOT FOR CONSTRUCTION)  
 PLOTTED: 8/24/2016 @ 7:34:08 AM

REVISION DESCRIPTION: ORIGINAL ISSUE		WD NUMBER: 111015586	
CAD	DATE (M/D/Y)	 PUGET SOUND ENERGY	SUBSTATION ENGINEERING DEPARTMENT CLASS: SITE
ENGINEER	/ /		
REVIEWED	/ /		
APPROVED	/ /		
DRAWING NO: D-18166		SCALE: 1" = 30'-0"	REV NO: 0
SHEET: 1 OF 1		CADD NO: D-18166_01.dgn	FILE NO: CODE:

USER: edonl  
8/24/2016